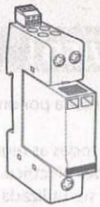




CITEL

INSTALLATION INSTRUCTIONS - NOTICE D'INSTALLATION
 INSTRUCCIONES DE INSTALACION - INSTALLATIONSHINWEISE
 ISTRUZIONI PER L'INSTALLAZIONE
 INSTRUCOES DE INSTALCAO - MONTÁŽNÍ NÁVOD
 ИНСТРУКЦИЯ ПО МОНТАЖУ - 安装指导书

Surge protector - Parafoudre DC
 Überspannungsschutz für DC - DC contra sobretensiones
 Proteção DC - Svodiče prepěti pro DC
 Устройство защиты от импульсных
 перенапряжений для сетей DC - 直流浪涌保护器



DSM2x0(S)-xxx DC

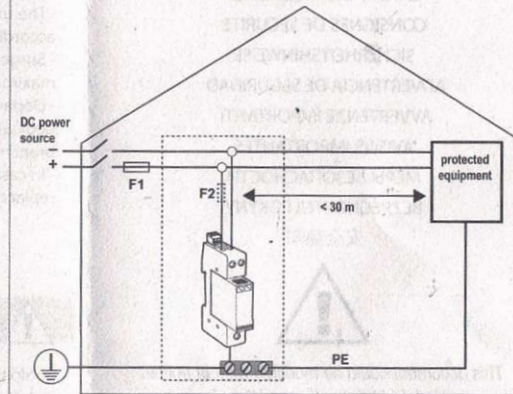
Technical Data

2000 m max. 6500 ft max. -40/+85°C max. -40/+1°F max. IP20 indoor use only	P/N									
	DS220(S)-12DC	DS220(S)-24DC	DS230(S)-48DC	DS240(S)-75DC	DS240(S)-95DC	DS240(S)-110DC	DS240(S)-130DC	DS240(S)-220DC	DS240(S)-280DC	DS240(S)-350DC
DC Network										
12 Vdc	Un	●								
24 Vdc	Un	●								
48 Vdc	Un		●							
75 Vdc	Un			●						
95 Vdc	Un				●					
110 Vdc	Un					●				
130 Vdc	Un						●			
220 Vdc	Un							●		
280 Vdc	Un								●	
350 Vdc	Un									●

Remote signal option: "S": e.g. DS220S-12DC

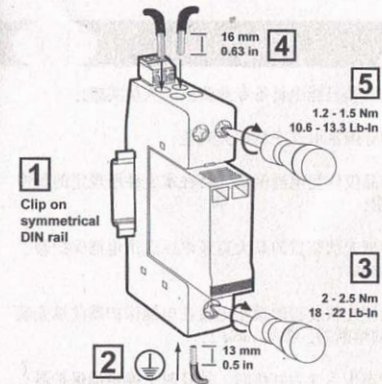
Table 1

Installation



Installation

min-max \varnothing		
	1.5 - 16 mm ²	15 - 5 AWG
	1.5 - 10 mm ²	15 - 7 AWG



min-max \varnothing		
	2.5 - 35 mm ²	13 - 2 AWG
	2.5 - 25 mm ²	13 - 4 AWG

Wiring

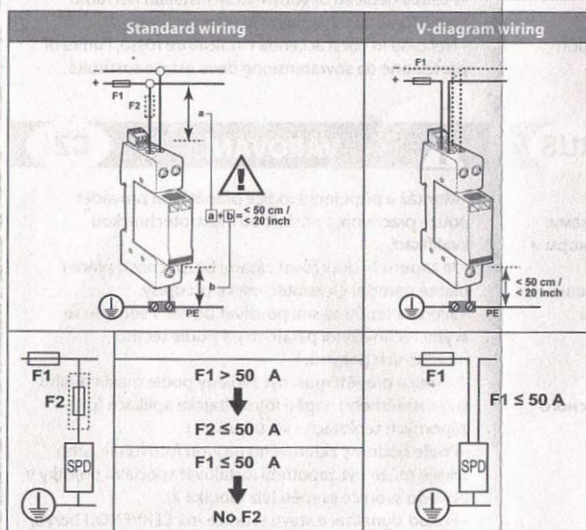
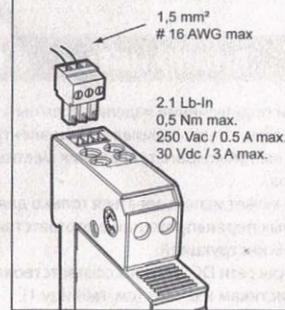


Table 2

Remote contact wiring



Remote signal for disconnection information

- 11-12 Closed = SPD OK
- 11-14 Open = SPD OK
- 11-12 Open = SPD disconnect
- 11-14 Closed = SPD disconnect

Table 3

Maintenance

